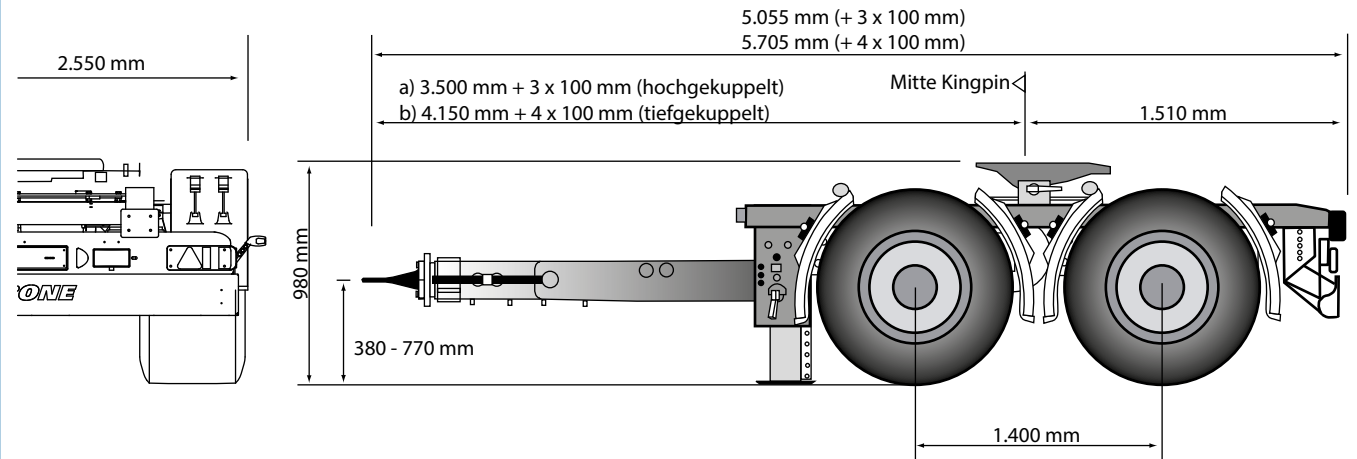


Mega Dolly with steering axles

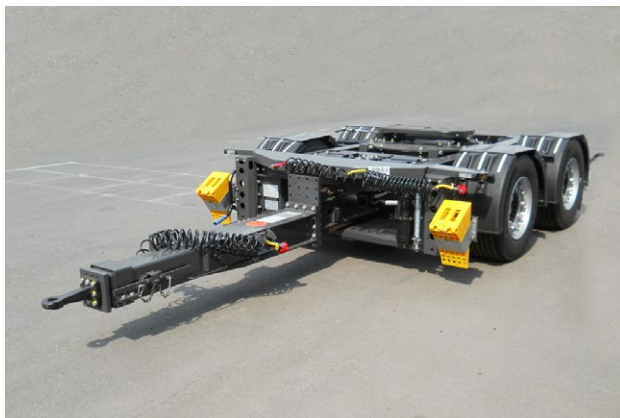
» Type: ZZB 18 eLZM



Mega Dolly with steering axles



Top view



Technical description

Double T-longitudinal beams with cross members in welded construction

Cast iron fifth wheel, height: 150 mm, mounted on rotating assembly

Rear bumper according to EC-regulation

Draw bar for steering axle with bolted 50 mm or 57,7 mm towing eye, length: 4,150 mm (+ 4 x 100 mm (low coupling) or length 3.500 + 4 x 100 mm (high coupling), middle towing eye to middle fifth wheel

Front support with crank and gear

Active forced steering axles with air suspension and disc brakes (370 mm) ET 120; raise/lower valve (1 valve) incl. auto reset; Rims centre nave

Tyres: 4 x 445/45 R 19.5, brand: Krone choice

Wheel covering according and spray suppression according to EC-regulations; natural black wheel covering, quarter shell, with a top cover, mud flaps at rear

Brake system according to ECE R 13, including vehicle stabilising system; spring parking brake; 2S/2M EBS system, 2 sensors on one axle with RSS, diagnostics by ISO 7638 socket (EBS); brake connection for trailer on guide rail; Palm coupling for air system (Trailer)

Lights according to UN ECE reg. no. 48; 24 volts lighting system with 2 x 7-pin socket DIN ISO 1185/3731; front and rear marker lights; two multi-function rear lights incl. rear fog light and reversing lights; contouring lights, number plate lights and side marker lights in LED; Electrical connection for Trailer mounted on guide rail; Connecting cable for electric- and air connection (Trailer)

Steel parts shot blasted, with KTL primer and high-quality surface coating (standard painting single-colour); axles incl. wheel hubs painted black; underrun protection and light panel powder coated white for safety reasons; wheels silver with high-quality paint finish; reflective outline marking according to ECE-R48

Technical data

Type:	ZZB 18 eLZM
Allowable gross weight:	18,000 kg
Dolly-King pin load:	16,000 kg
Tare weight, approx.:	3,250 kg
5th wheel height, approx.:	980 mm
Coupling height (unloaded)	380 - 770 mm
Axle spread	1,400 mm
Total length (basic position)	5,055 / 5,705 mm

(Dimensions and weights for standard units)



Fahrzeugwerk Bernard KRONE GmbH & Co. KG
Bernard-Krone-Straße 1, 49757 Werlte, GERMANY
Phone: +49 (0) 5951 209-0, Fax: +49 (0) 5951 209-98-268

Subject to modifications!
VF/Beu issue 02/2018