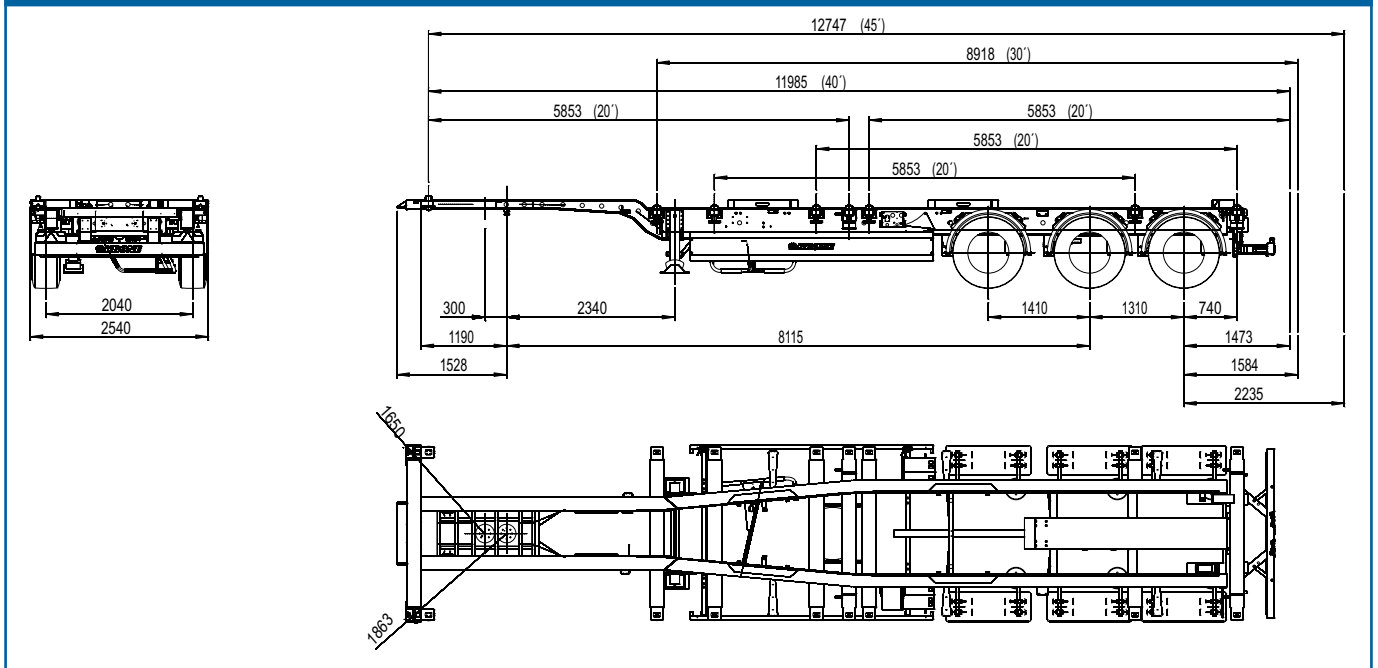


# Box Liner

» Type: SDC 27 eLTU5\_2



Chassis with corresponding locks for container transport: 1 x 40' with tunnel, 1 x 45' with tunnel, 2 x 20', 1 x 20' rear flush, 1 x 20' on-centre up to 30 tons and as an option 1 x 30' rear-flush



**Attention: Transport of filled tank container is not allowed! Container position 20' in centre position limited to 30 tons. During transport of 45' containers with short tunnel the allowed length from the king pin to the rear is exceeding legal limits! The transport of 45' containers with long tunnel and chamfered corners at front is possible within the EC directive. The rear bumper must be pulled out manually!**

Technical data	
Type:	SDC 27 eLTU5_2
King Pin load:	14,000 kg
Axle load (technically possible):	27,000 kg
Perm. total weight (technically possible):	41,000 kg
Tare weight:	approx. 5,300 kg
Payload (technically possible):	approx. 35,700 kg
Axle spread:	1,410 / 1,310 mm
5th wheel height:	1,120 mm
Neck height (incl. coupling plate):	130 mm
Distance kingpin - rear end:	11,800 mm

(Dimensions and weights for standard units)

Load distribution:						
Loading options	Total weight of containers (kg)	Coupling load		Axle load		Total weight (kg)
		(kg)	(%)	(kg)	(%)	
1x 20' rear flush	25.400	4.060	13	26.940	87	31.000
1x 20' on centre	30.000	9.810	28	25.790	72	35.600
2x 20'	2 x 16.000	13.970	37	23.630	63	37.600
40' HighCube/ISO	32.000	13.970	37	23.630	63	37.600
30' rear flush	28.100	6.740	20	26.960	80	33.700
45'	32.500	11.110	29	26.990	71	38.100

Technical description
Chassis made of I beams welded to crossmembers; cranking 120 mm; neck height: 130 mm (incl. coupling plate); bolted 2" kingpin, 2 positions (890 and 1190 mm), mounted on 1190 mm; pneumatic extendable rear; rear underrun protection and side guards acc. to EC regulation
Container lockings for: 1 x 40' with tunnel, 1 x 45' with tunnel, 2 x 20', 1 x 20' rear flush, 1 x 20' on-centre up to 30 tons and as an option 1 x 30' rear-flush rear bulb plate platform
Available on request: Height adjustable container lockings and foldable supports (for transport of container without tunnel)
2 mechanically operated landing legs, 2 x 12 tones capacity, half round compensating feet
Low-maintenance axles with air suspension and disc brakes (430 mm); raise/lower valve incl. auto reset valve; Rims centre nave
Tyres: 6 x 385/55 R 22.5, brand: Krone choice
Wheel covering according to EC-regulations; Spray suppression according to EC-guidelines
spare wheel carrier as an option
EC braking system including vehicle stabilising system; low-maintenance automatic; spring-loaded hand brake; 2S/2M EBS system, 2 sensors on each axle with RSS, diagnostics on ISO 7638 socket (EBS)
24 volts lighting system with 2 x 7-pin socket DIN ISO 1185/3731; front and rear marker lights; with two multi-function rear lights acc. to EC incl. rear fog light and reversing lights; 2 large contouring lights with rubber arm in LED; side marker lights in LED
Steel parts shot blasted, with KTL primer and high-quality surface coating (standard painting single-colour); axles incl. wheel hubs painted black; underrun protection and light panel powder coated white for safety reasons; wheels silver with high-quality paint finish; accessories black or galvanized; reflective outline marking according to ECE-R48



Fahrzeugwerk Bernard KRONE GmbH & Co. KG  
 Bernard-Krone-Straße 1, 49757 Werlte, GERMANY  
 Phone: +49 (0) 5951 209-0, Fax: +49 (0) 5951 209-98-268

Subject to modifications!  
 VF/Beu issue 02/2017